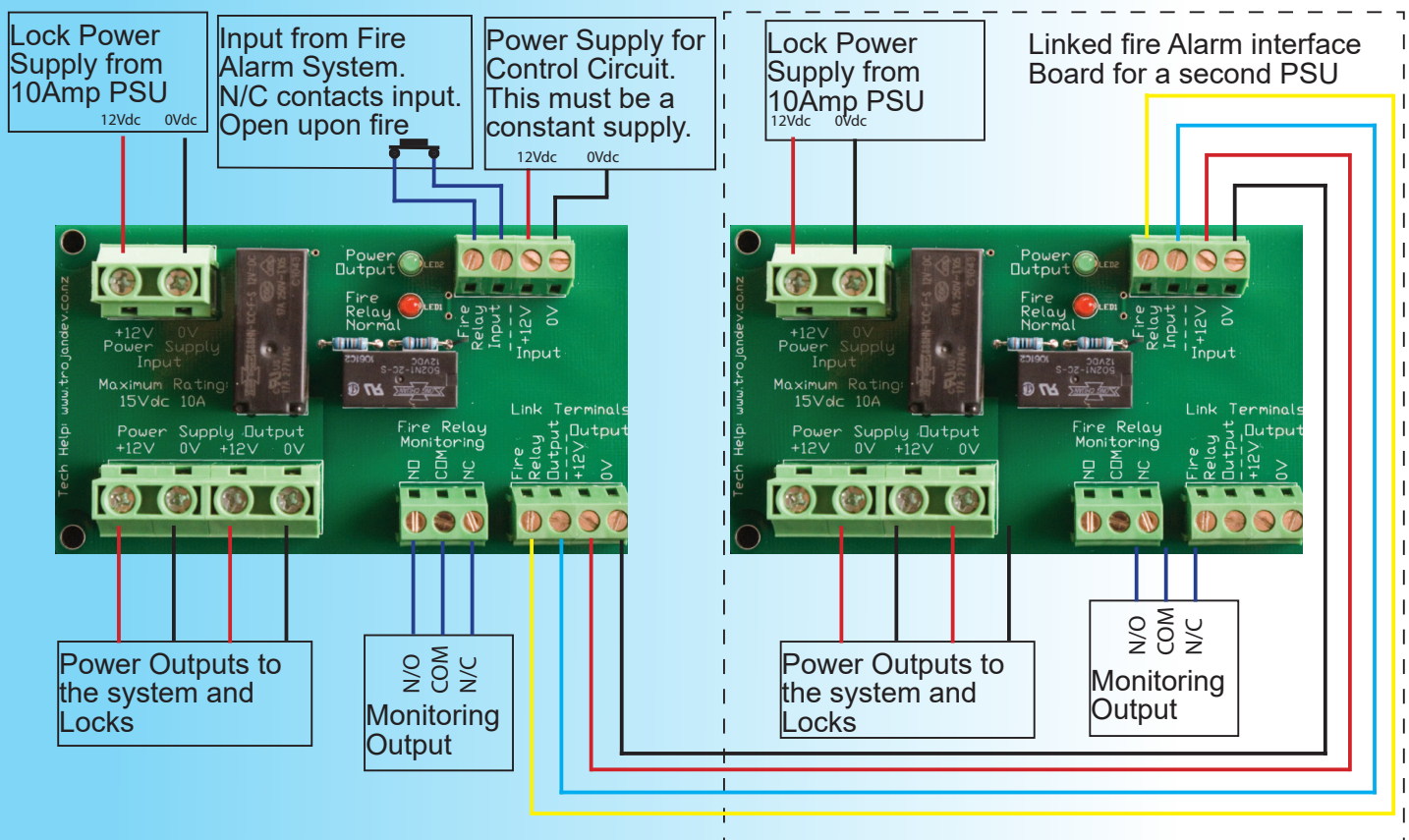


Fire Alarm Interface Board

The TDL-FAB is a Fire Alarm Interface board which allows for the control of the power to the Access Control system via an input from the Fire Alarm system to drop power from the Access controlled doors upon fire alarm activation.

The TDL-FAB can also be daisy chained to other FABs to only require one Fire Alarm input for multiple power supplies.

Installation Wiring Diagram



Specifications:

- ▼ Operating Voltage 9 to 16Vdc - 70mA at 13.6 Vdc
- ▼ Control Contacts rated at 15Amps AC/DC
- ▼ Status Contacts rated at 8 Amps AC/DC
- ▼ Dimensions: 110mm (w) x 60mm (h) x 23mm

Product code:

- ▼ TDL-FAB

▼ www.trojandev.co.nz

▼ sales@trojandev.co.nz

