

Emergency Exit Device with LED indication

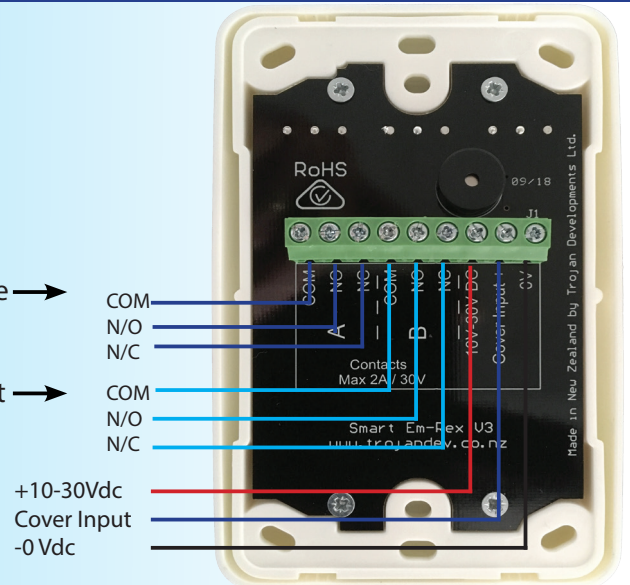
This unit operates the same way as the standard Em Rex[®] (Emergency Exit Device) but it also offers the added feature of back lighting which allows both easy location and greater safety in emergencies involving areas of limited lighting. It also operates from 10 to 30Vdc.

Installation Wiring Diagram

Set "A" Contacts wire in series with the lock power using the Com and Normally closed contacts. →

Set "B" Contacts can be connected direct to the alarm input →

The +9 to 16Vdc supply has to be from the same Power Supply as the reader. Not the Lock PSU. The cover input can also be operated with a +10 - 30Vdc from the same power supply source.



To Activate Press firmly on window

Window is illuminated allowing it to be located in dark areas

Insert the Reset Tool provided and pull down



Product Code:

▼ Smart Em

▼ www.trojandev.co.nz

▼ sales@trojandev.co.nz

