

Touch-to-Exit request to exit device for use with Access Control Systems

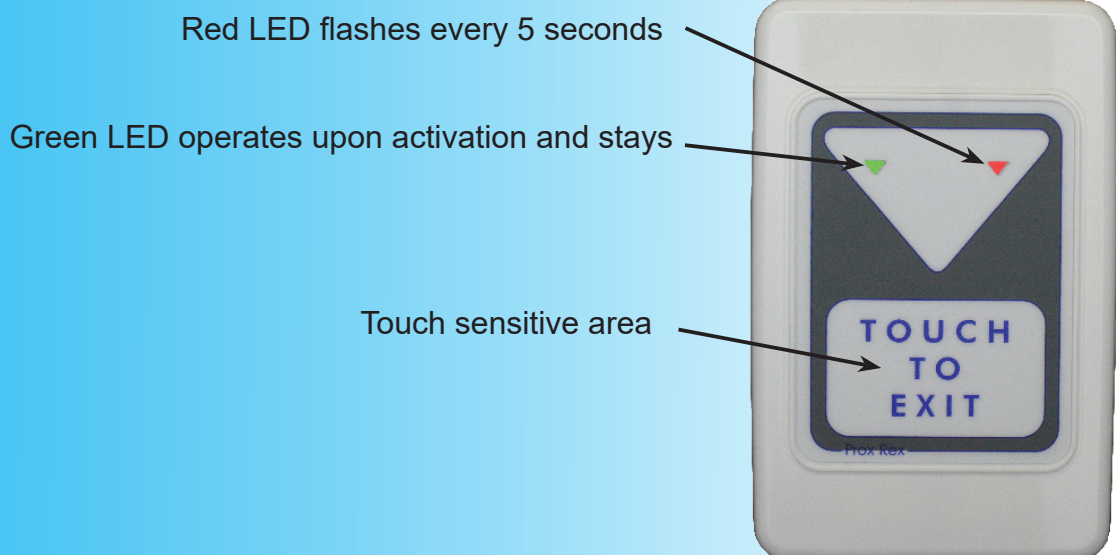
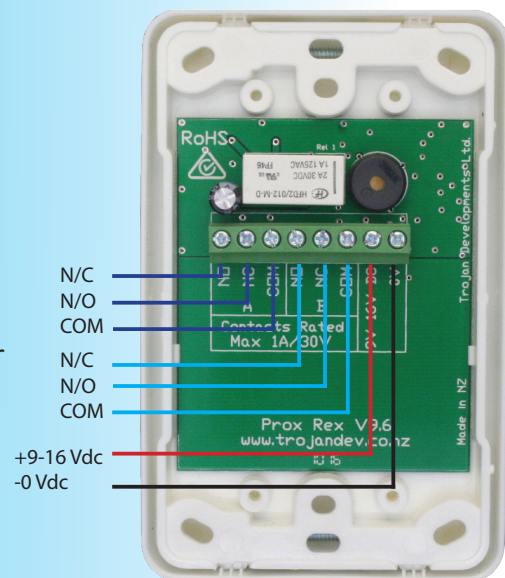
The Prox Rex® (Touch to Exit) electronic switch is a low cost, touch sensitive switch unit designed for connecting to an Access Control Systems reader module request to exit input and local door control if required to command the unlocking of the door for egress.

Installation Wiring diagram

Set "A" Contacts connect to the Request to Exit input on the Access Control door module. You might need an EOL resistor.

Set "B" Contacts are used when there is a requirement for a second input to control the door direct.

The + 9 to 16Vdc supply has to be from the same Power Supply as the reader. Not the Lock PSU.



Product code:

▼ Prox Rex

▼ www.trojandev.co.nz

▼ sales@trojandev.co.nz

