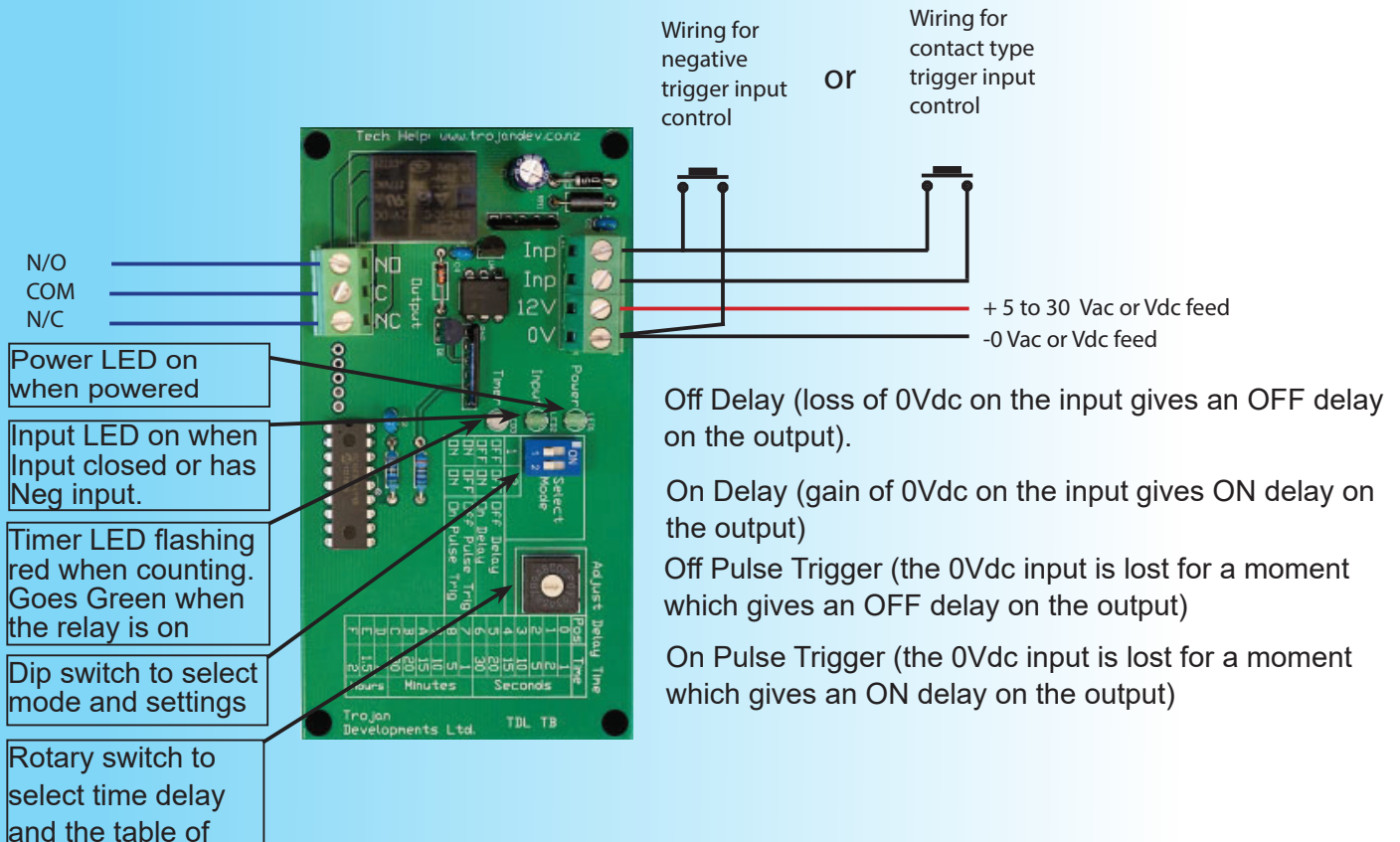


Timer Board

The TDL-TB is a multifunction timer board. It has dip switches for field selectable definitive time durations from 0.5 seconds up to 2 Hours. It is extremely versatile with 4 input modes (Off Delay, On Delay, Off Pulse & On Pulse) allowing endless application possibilities.

Installation Wiring Diagram



Specifications:

- ▼ 0.5 Second to 2 Hour selectable
- ▼ operating Voltage 9 to 16Vdc - 17mA at 13.6 Vdc standby and 57mA energised
- ▼ Input terminals for a switched contact or a negative trigger
- ▼ Single Pole Double Throw relay output
- ▼ Contacts rated at 8 Amps AC/DC
- ▼ Dimensions: 110mm (w) x 60mm (h) x 23mm (d)

Product code:

- ▼ TDL-TB

▼ www.trojandev.co.nz

▼ sales@trojandev.co.nz

